

250 Series - Flange Mount Kit

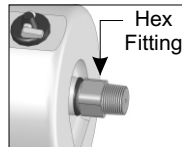
Mount the 250 Series (flange mount) bracket in a location that is easily accessible and safe from external damage (posts, forklifts, tire caps, etc.).

The secondary bracket is optional. It can be used to suspend the main bracket if desired.

Attention: DO NOT drill or cut mounting holes in the main chassis or any other part of the vehicles main framework unless it is approved by the manufacturer. Drilling holes without approval may void your warranty with the vehicle manufacturer.

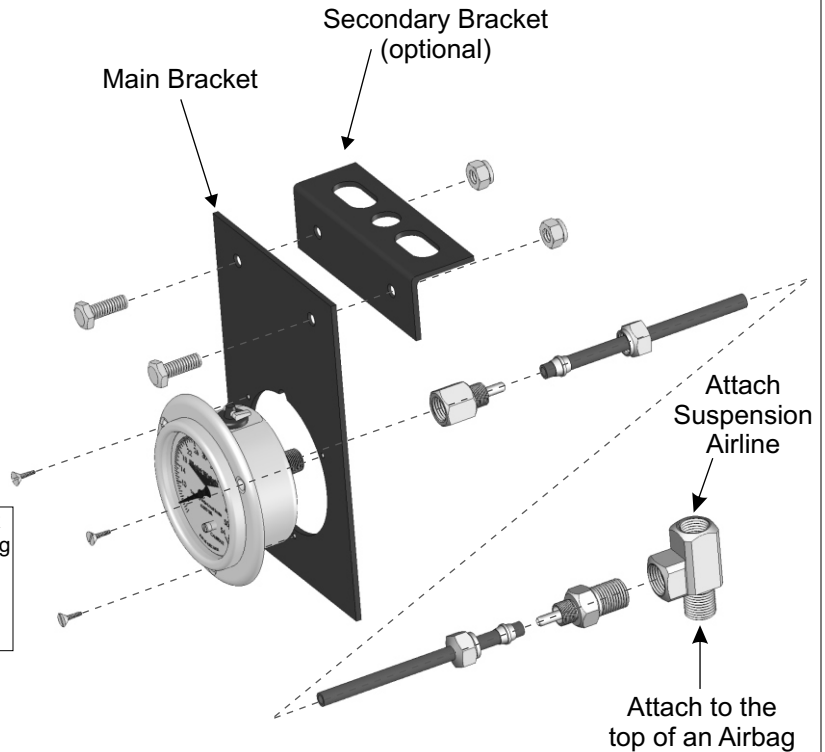
Attention: The gauge must be mounted vertically. DO NOT mount on an angle or sideways.

Attention: ALWAYS install (or remove) the gauge using a wrench on the hex fitting only. Do not attempt to tighten (or loosen) by turning the housing or any other part of the gauge.



Attention: ALWAYS use a thread sealant to ensure leak-free operation.

Right Weigh
Load Scales



For additional installation support please call Right Weigh, Inc.

Toll free (888) 818-2058 or (503) 628-0838

©2006 Right Weigh, Inc. All rights reserved.

250 Series - Flange Mount Kit

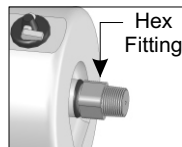
Mount the 250 Series (flange mount) bracket in a location that is easily accessible and safe from external damage (posts, forklifts, tire caps, etc.).

The secondary bracket is optional. It can be used to suspend the main bracket if desired.

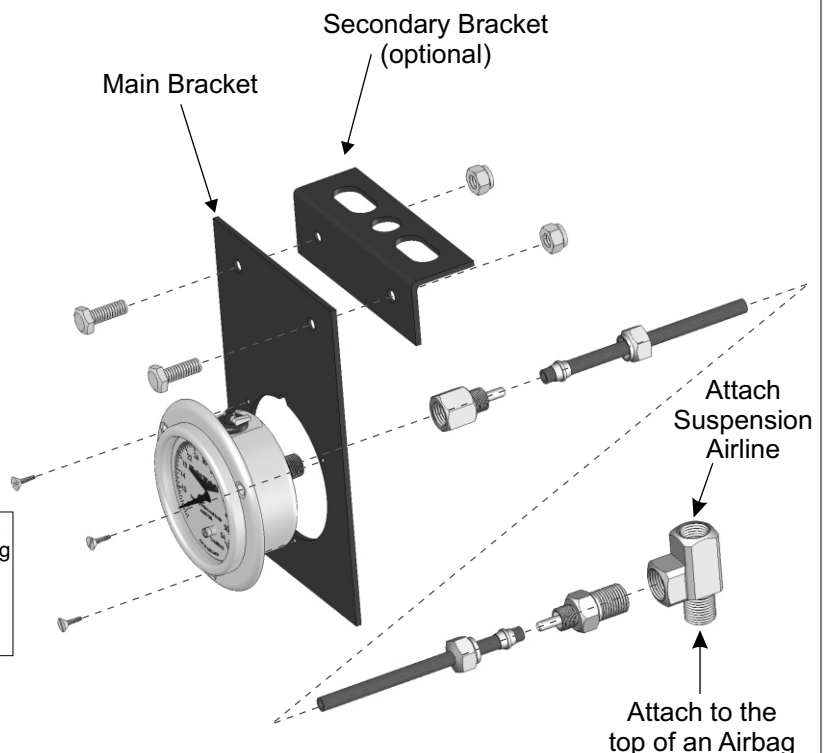
Attention: DO NOT drill or cut mounting holes in the main chassis or any other part of the vehicles main framework unless it is approved by the manufacturer. Drilling holes without approval may void your warranty with the vehicle manufacturer.

Attention: The gauge must be mounted vertically. DO NOT mount on an angle or sideways.

Attention: ALWAYS install (or remove) the gauge using a wrench on the hex fitting only. Do not attempt to tighten (or loosen) by turning the housing or any other part of the gauge.



Right Weigh
Load Scales



For additional installation support please call Right Weigh, Inc.

Toll free (888) 818-2058 or (503) 628-0838

©2006 Right Weigh, Inc. All rights reserved.