

Installation Kit for Interior Mounted Load Scales



Step 1: Mount the Right Weigh interior load scale into the dash panel by following the installation instructions provided with the gauge. If needed, refer to the vehicle owner's manual, or a qualified technician, for detailed instructions on dash panel assembly and gauge installation.

Step 2: Dump the air from the suspension system, then locate and remove the suspension airline from the most accessible air bag on the drive axle tandems.

Step 3: Insert the Street Tee fitting into the top of the air bag, then reattach the suspension airline into the top of the Street Tee fitting.

Step 4: Using the 90° Elbow fitting, Straight fitting and the 1/4" airline, run a new airline from the Street Tee to the load scale mounted in the dash. To ensure an airtight seal, use thread tape or a thread sealant on all fitting connections.



Please Note: 102PK kits will also include a reducer fitting to reduce the 3/8" thread on the Street Tee to 1/4" threads so the Straight fitting can be attached to it.

Step 5: Air up the suspension system and double check all fittings and airlines for leaks.

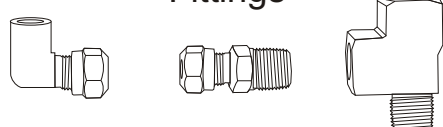
Step 6: Locate an electrical power and ground source for the gauge LED lighting. Attach the positive (RED) wire to the power source and the negative (BLACK) wire to a ground source.

Please Note: The LED lights will not work if the wires are not attached correctly. If needed, refer to the vehicle owner's manual or a qualified technician for assistance.

Step 7: Reassemble the dash panel.

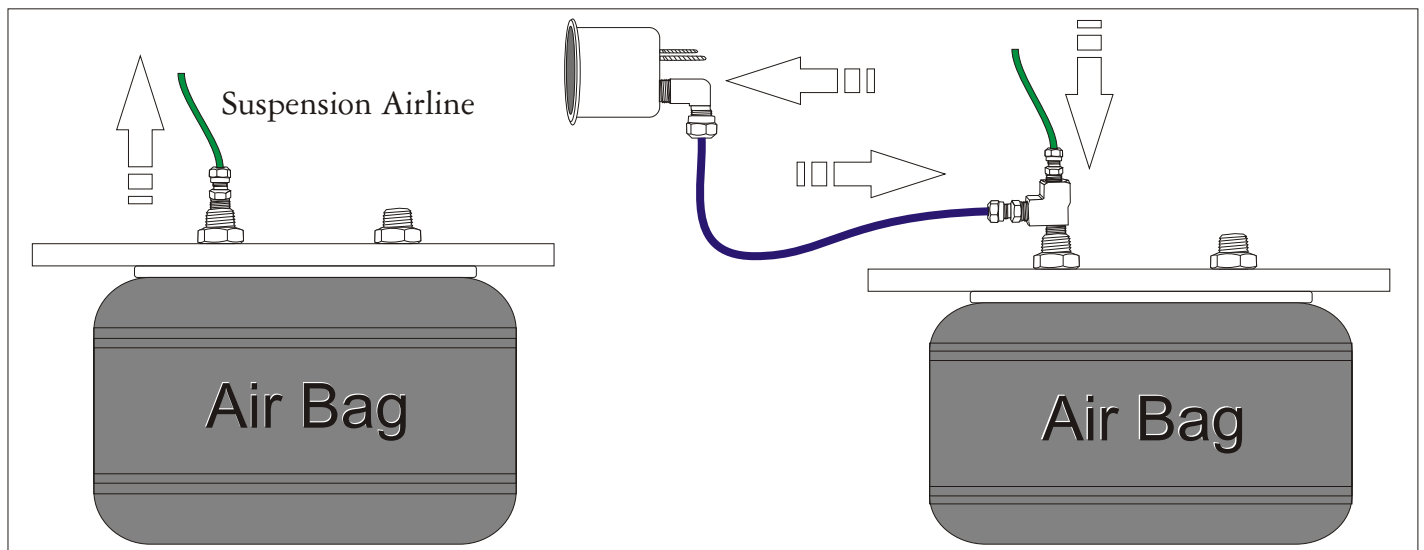
Install Kit Parts:

Fittings



90° Elbow Straight Street Tee

Plus 30 Feet of 1/4" Airline



For additional installation support please call Right Weigh, Inc.
Toll free (888) 818-2058 or (503) 628-0838
©2006 Right Weigh, Inc. All rights reserved.

Doc#: 51046ACCKIT